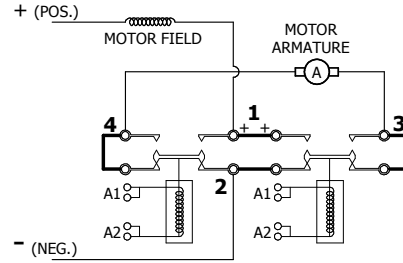
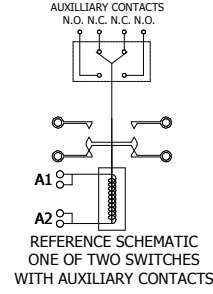


PAIRED SINGLE POLE DOUBLE THROW CONTACTOR.  
COMPLETE WITH REQUIRED LINKS FOR MOTOR REVERSING.



HEAVY LINES REPRESENT LINKS THAT ARE PROVIDED WITH THE CONTACTOR.  
**SYSTEM CONNECTION DIAGRAM**



JCM46 SERIES

CONTACT CONFIGURATION: DPDT

MAIN CONTACT DATA

- I THERMAL, I<sub>th</sub>: 400 AMPS
- RESISTIVE LOAD: 400 AMPS @ 60 VDC MAX
- OVERLOAD: 600 AMPS PER UL 508
- CONTACT VOLTAGE DROP: <40 mV TYPICAL
- MATERIAL: AgSnO<sub>2</sub>

COIL DATA

- COIL VOLTAGES: 12 - 340 VDC
- COIL TYPES:
  - CONTINUOUS DUTY
  - INTERMITTENT DUTY
  - PRLONGED DUTY
  - HIGH POWER INTERMITTENT DUTY

OPTIONS

- AUXILIARY CONTACTS
  - 5 AMPS, 250VAC/28VDC
  - FORM Z SPDT-DB
- MAGNETIC BLOWOUTS
- ENCLOSED HOUSING
- MOUNTING BRACKETS
- SERATED CONTACTS
- COIL SUPPRESSION
- FLYING LEADS
- ACV COIL W/ RECTIFIER

TEMPERATURE: -20°C TO +50°C

MECHANICAL LIFE: >3 X 10<sup>6</sup>

IP CODE: IP31 PER IEC 60529

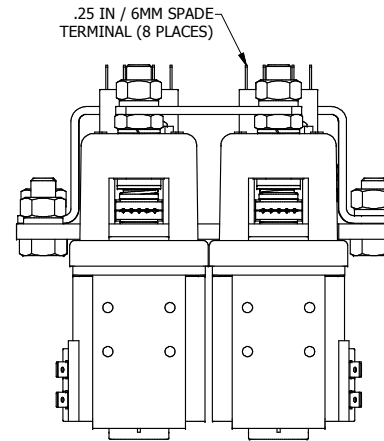
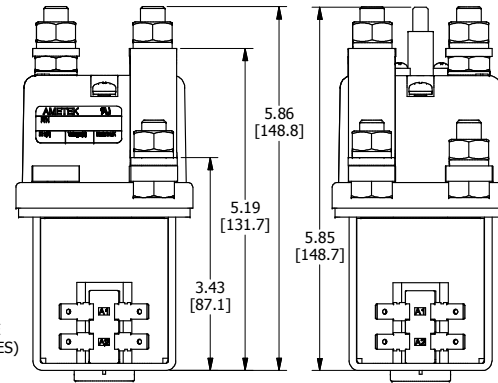
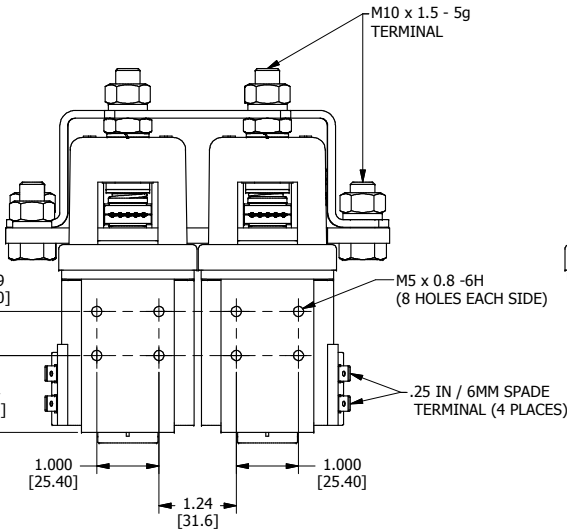
APPROXIMATE WEIGHT: 3.14 kg [6.92 lbs]

RoHS COMPLIANT

TELECOM UL FILE: E161810

RECOMMENDED TORQUE, M10: 124 In-Lb [14.0 Nm] MAX.

RECOMMENDED TORQUE, M5: 15 In-Lb [1.7 Nm] MAX.



CHANGE RECORD		UNLESS OTHERWISE SPECIFIED:		UNLESS THIS DRAWING IS BEING VIEWED FROM THE FILE SERVER OF AMETEK/PRESTOLITE POWER AND SWITCH, IT IS AN UNCONTROLLED DOCUMENT. DESTROY ALL COPIES AFTER INITIAL USE!	
DWG. NO.	DATE	OPERATIONS ARE IN INCHES (MILLIMETERS)	DIMENSIONS BELOW ARE IN INCHES (MILLIMETERS)	FINISH CODE PER	
		DECIMAL INCH	METRIC	ACTIVITY	REWORKED BY
		FRAC	MM	REVISION	REPLACES
		FRAC	MM	DATE	TITLE
		FRAC	MM	DATE	CONTACTOR, FORWARD - REVERSE
		FRAC	MM	DATE	DESCRIPTION OF DATA
		FRAC	MM	DATE	REVISION
		FRAC	MM	DATE	APPROVED
		FRAC	MM	DATE	RECORDS
		FRAC	MM	DATE	SHEET
		FRAC	MM	DATE	4 of 5

CONFIDENTIAL: This drawing, including all information contained herein, is the exclusive and confidential property of Ametek/Prestolite Power and Switch, of Troy, Ohio, 45373. This drawing is not to be copied, reproduced, delivered or disclosed to others in whole or in part, except with express written permission.

**AMETEK**  
PRESTOLITE SWITCH  
TROY, OHIO 45373, U.S.A.

DWG. NO. JCM46 SERIES