

JCA46 SERIES

CONTACT CONFIGURATION: SPST, N.O.

MAIN CONTACT DATA

- I THERMAL, I_{th} : 400 AMPS
- RESISTIVE LOAD: 400 AMPS @ 60 VDC MAX
- OVERLOAD: 600 AMPS PER UL 508
- INDUCTIVE LOAD: 300 AMPS @ 96 VDC MAX
- ARC RUPTURE: 2500/1200 AMPS PER UL 583
- CONTACT VOLTAGE DROP: <40 mV TYPICAL
- MATERIAL: AgSnO₂

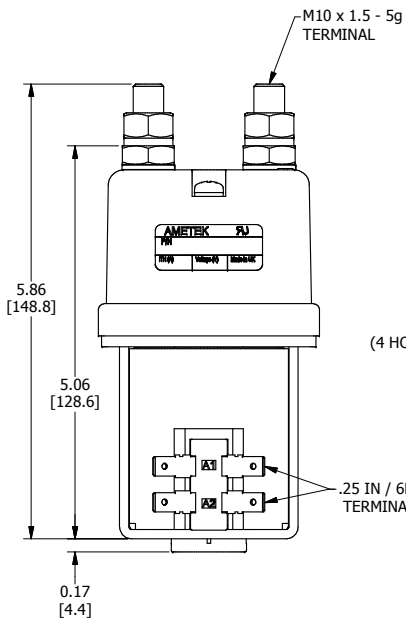
COIL DATA

- COIL VOLTAGES: 12 - 340 VDC
- COIL TYPES:
 - CONTINUOUS DUTY
 - INTERMITTENT DUTY
 - PROLONGED DUTY
 - HIGH POWER INTERMITTENT DUTY

OPTIONS

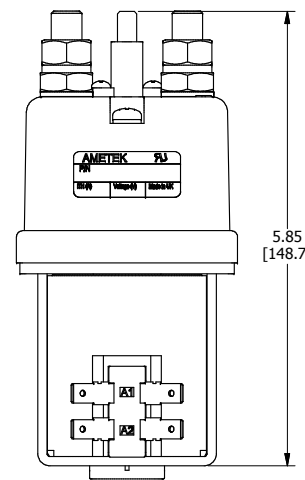
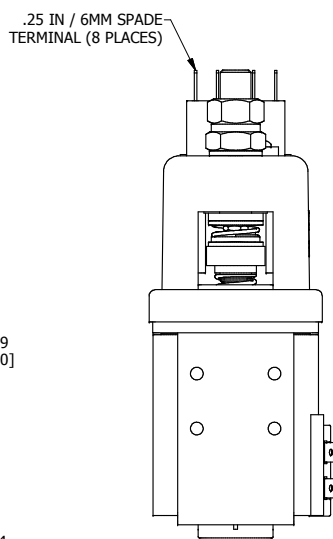
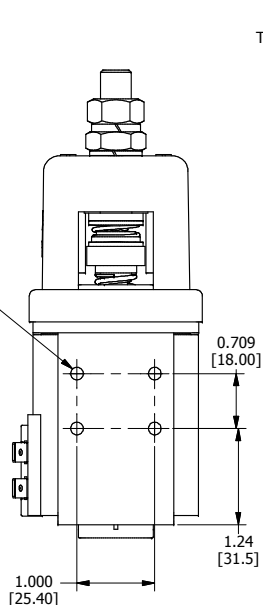
- AUXILIARY CONTACTS
- 5 AMPS, 250VAC/28VDC
- FORM Z SPDT-DB
- MAGNETIC BLOWOUTS
- ENCLOSED HOUSING
- MOUNTING BRACKETS
- SERATED CONTACTS
- COIL SUPPRESSION
- FLYING LEADS
- ACV COIL W/ RECTIFIER

- TEMPERATURE: -20°C TO +50°C
- MECHANICAL LIFE: >3 X 10⁶
- IP CODE: IP31 PER IEC 60529
- APPROXIMATE WEIGHT: 1.3 kg [2.86 lbs]
- RoHS COMPLIANT
- MATERIAL HANDLING UL FILE: Au2277
- TELECOM UL FILE: E161810
- RECOMMENDED TORQUE, M10: 124 In-Lb [14.0 Nm] MAX.
- RECOMMENDED TORQUE, M5: 15 In-Lb [1.7 Nm] MAX.



M5 x 0.8 -6H
(4 HOLES EACH SIDE)

.25 IN / 6MM SPADE
TERMINAL (4 PLACES)



CHANGE RECORD		UNLESS OTHERWISE SPECIFIED: DIMENSIONS ARE IN INCHES (MILLIMETERS); DIMENSIONS SHOW MINUS DECIMAL FRACTIONS UNLESS OTHERWISE SPECIFIED; UNLESS OTHERWISE SPECIFIED;		Unless this drawing is being viewed from the file server of Ametek/Prestolite Power and Switch, it is an UNCONTROLLED DOCUMENT. DESTROY ALL COPIES AFTER INITIAL USE!	
E.C. NO.	DATE	FINISH CODE PER	ACTIVITY	REWORKED BY	REPLACES
DO NOT SCALE DRAWING		CONTRACTOR, SPST, N.O.			
CONFIDENTIAL: This drawing, including all information contained herein, is the exclusive and confidential property of Ametek/ Prestolite Power and Switch, of Troy, Ohio, 45373. This drawing is not to be copied, reproduced, delivered or disclosed to others, in whole or in part, except with express written permission.		REVISIONS		DATE	SHEET
		DRAWN		08-03-10	1 of 5
		CHECKED		RECORDS	
		APPROVED			
		DATE			
		RECORDS			
		SHEET			
		1 of 5			
AMETEK PRESTOLITE SWITCH		TROY, OHIO 45373, U.S.A.		DWG. NO. JCA46 SERIES	